

# ***GTA-15***

Tube guitar combo amplifier

---



User manual

## CONTENTS

1.Precautions.....	1
2.General information.....	2
Top panel.....	2
Rear panel.....	3
3.Operating Instructions.....	3
4.Troubleshooting.....	4
5.Technical Specifications.....	4
6.Delivery.....	4
7.Guarentee.....	5

## 1 . PRECAUTIONS

- **Allow the amp to warm up for a few minutes before playing.**
- **Allow the amp to cool for a few minutes before moving.**
- Do not store or use the unit in a damp environment.
- Do not place the device in direct sunlight or near a heater.
- When connecting to a power supply, make sure that its voltage matches the requirements of the unit. The socket must be also be earthed.
- In the event of a fire, unplug the power cord of the unit.
- If the appliance is not used for a long period of time, it must be disconnected from the power supply.
- Before replacing the valves, make sure that the appliance is disconnected from the power supply.
- Avoid touching the hot valves.
- Protect it from shocks.
- The unit requires good ventilation.
- Do not use solvents to clean the cabinet, use a clean, dry cloth.

## 2 .GENERAL

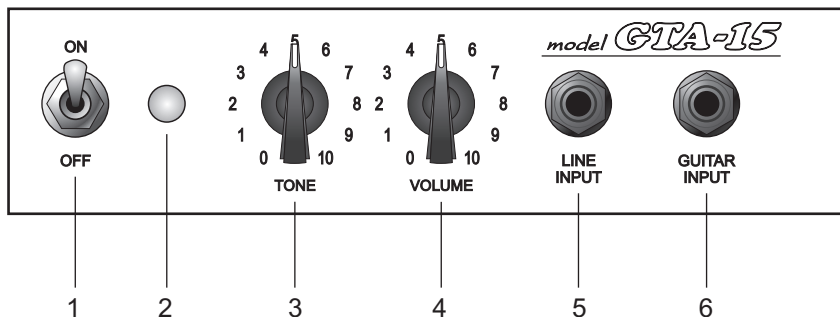
The GTA-15 is a compact 15 watt CLASS A/B valve guitar combo amplifier, which gives a clean, warm and rich sound.

Exceptionally easy to use, combined with the possibility of obtaining a clean and warm overdriven tube sound at sensible volumes.

Sound is a huge advantage of the 15-watt model . Speaker 10”.

The new model has several advantages over its predecessor. Along with having a line level input for external preamp the GTA-15 has significantly reduced background noise, especially when used at low volume. The volume control is smoother and more gradual, also the circuit uses film capacitors WIMA, and the output valves are of higher quality. The Power on and off switch is made by the French firm APEM for more reliability. The model GTA-15J12 uses 12" speaker Jensen C12R. The amplifier uses valves 2x 12Ax7(2xECC83), 2x EL84.

### The top panel



1 - ON / OFF - The power switch.

2 - LED power indicator.

3 - TONE - tone control, allows you to alter the top mid and high frequencies.

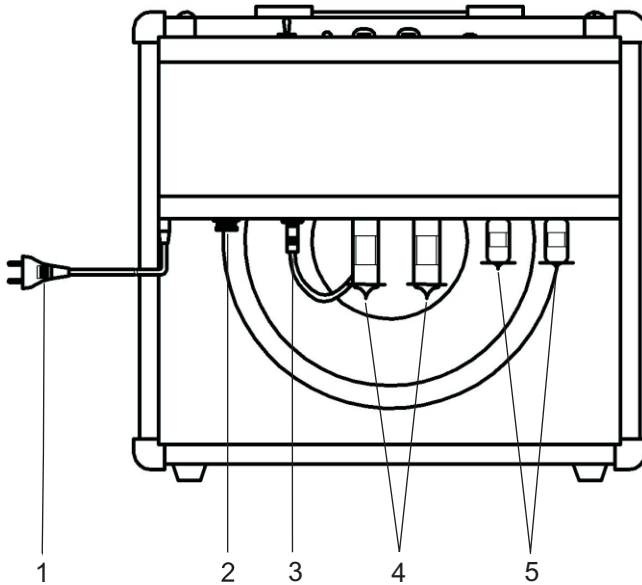
4 - VOLUME - volume control simultaneously adjusts the volume and sensitivity of the channel. In the initial position the sound remains clean.

As the volume is increased the amp moves smoothly into creamy overdrive.

5 - LINE INPUT - line-in jack for connecting an external preamp.

6 - GUITAR INPUT - input jack for connecting an electric guitar.

## Rear panel



- 1 - Power Cord.
- 2 - Fuse
- 3 - Jack built-in speaker or external cabinet 8-ohm.
- 4 - Output valves 2xEL84
- 5 - Pre amp valves 2x12AX7 (2xECC83)

## 3. OPERATING

Plug the cord into the guitar jack socket INPUT. Turn the power switch to ON. When the LED lights wait 30 seconds for the valves to warm up before playing.

## 4. TROUBLESHOOTING

In some cases, you may encounter problems such as noisy valves, howling and internal valve faults. All valves have a finite lifespan. If problems occur it may be easily rectified by replacing a valve. A faulty valve may be identified by knocking the valve body which may exhibit extra noise. But be aware that some noise when knocking a preamp valve can be a natural phenomenon. When a pre amp valve (12AX7) fails it should result in continuous microphonics.

The simplest solution is to replace a faulty valve with a known good one. Sometimes it is enough just to change valve places.

The faulty valve may be removed when cold by using a gentle circular motion after nun plugging the amp from the mains.

Always install a serviceable valve.

## 5. SPECIFICATIONS

Input resistance, MOhm .....	1
Output power, W, .....	15
Powered by a 50 Hz, in .....	220 ± 22
Power consumption, W, not more .....	50
Weight (net), kg, not more .....	12
Lamp .....	2xEL84, 2x12AX7 (2xECC83)
Speakers: (GTA-15C) .....	Celestion G10Vintage
(GTA-15E) .....	Eminence Legend 102A
(GTA-15J) .....	Jensen C10Q
(GTA-15J12) .....	Jensen C12R

## 6. DELIVERY

Guitar Combo Amplifier GTA-15 units .....	1
AC fuse (spare) T0, 5A, units .....	1
Operating instructions, .....	1
Container packing, items .....	1

## 7. GUARANTEE

Warranty period 12 months from the date of purchase.

During the warranty period, the owner is entitled to a free repair.

Caution: In the absence of the warranty card and the receipt of purchase the warranty period will be calculated from the date of manufacture of the product.

Warranty does not cover:

- Products that have mechanical damage;
- Violation of the consumer operating conditions;
- In the case of self-repair or modify.

\* The valves included with the product are a consumable product and the warranty on them is for 1 month from the date of receipt of the product.

Combo amp

GTA 15 \_\_\_\_\_

Ser. Number \_\_\_\_\_

Date of manufacture \_\_\_\_\_

(Filled by the manufacturer)

Combo amp GTA 15 \_\_\_\_\_

Ser. Number \_\_\_\_\_

Release Date \_\_\_\_\_

TCI representative \_\_\_\_\_

-----  
(Fill-trading company)

Sale Date \_\_\_\_\_

Seller \_\_\_\_\_

Stamp shop \_\_\_\_\_

**YERASOV MUSIC CORPORATION**  
[www.yerasov.ru](http://www.yerasov.ru) e-mail: [sale@yerasov.ru](mailto:sale@yerasov.ru)